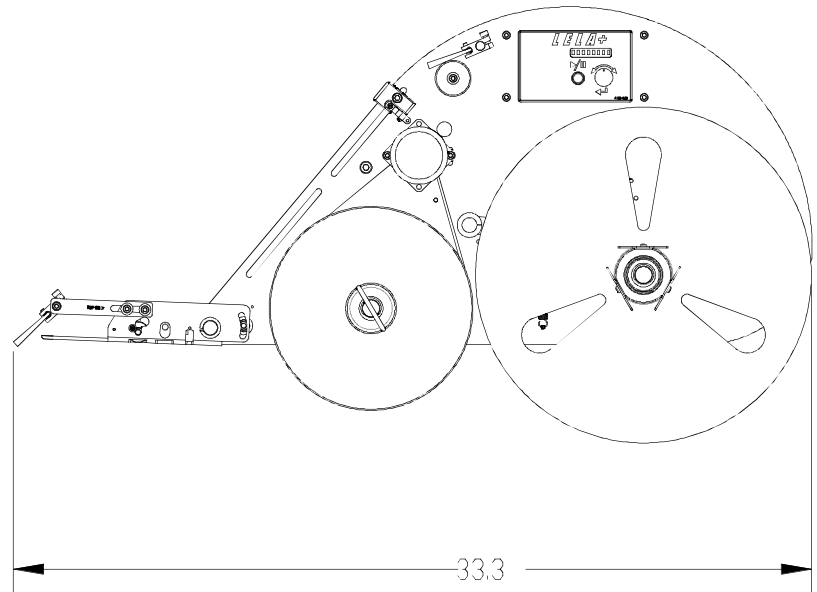
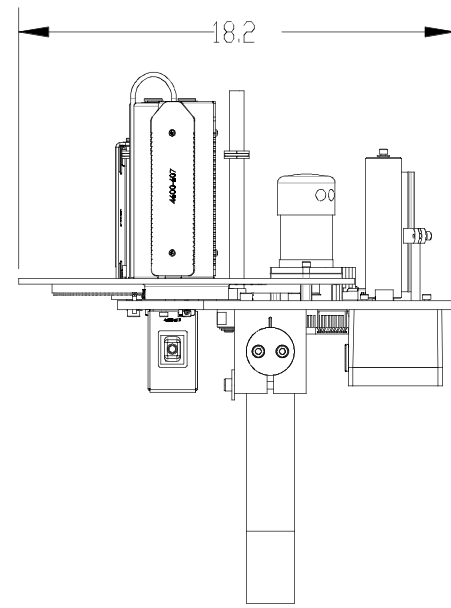
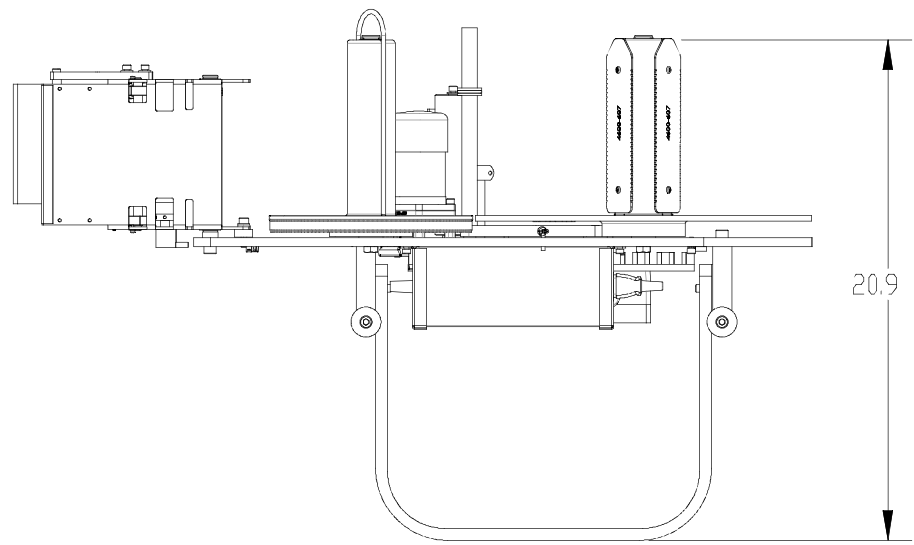



8 7 6 5 4 3 2 1

D  
C  
B  
A



<b>CONFIDENTIAL</b>		UNLESS OTHERWISE SPECIFIED:		FILE NAME 4150-000			
THIS DOCUMENT CONTAINS CONFIDENTIAL INFORMATION OF ITW MARKING AND CODING AND IS NOT TO BE COPIED, USED OR DISCLOSED TO OTHERS WITHOUT THE EXPRESS WRITTEN CONSENT OF ITW MARKING AND CODING.		ALL DIMENSIONS ARE SHOWN IN INCHES. ALL DIMENSIONS APPLY AFTER FINISH. REMOVE BURR:		DWII	XX		
		TOLERANCES: LINEAR 2 PLACE (XX) ±.015 3 PLACE (XXX) ±.005 HOLE DIAMETER ±.005 ANGULAR ±1° MACHINE SURFACE		APP	XX	XX	TITLE: LELA+ LH TOP DOWN
				APP	XX	XX	
				ASSY PROC			
				INCP PROC			
				CAGE CODE			
NEXT ASSEMBLY	MODEL	MAT'L SPEC	SCALE: 1:8	SHEET 1 OF 2	SIZE B	DWG NO XX	REV 1

8 7 6 5 4 3 2 1