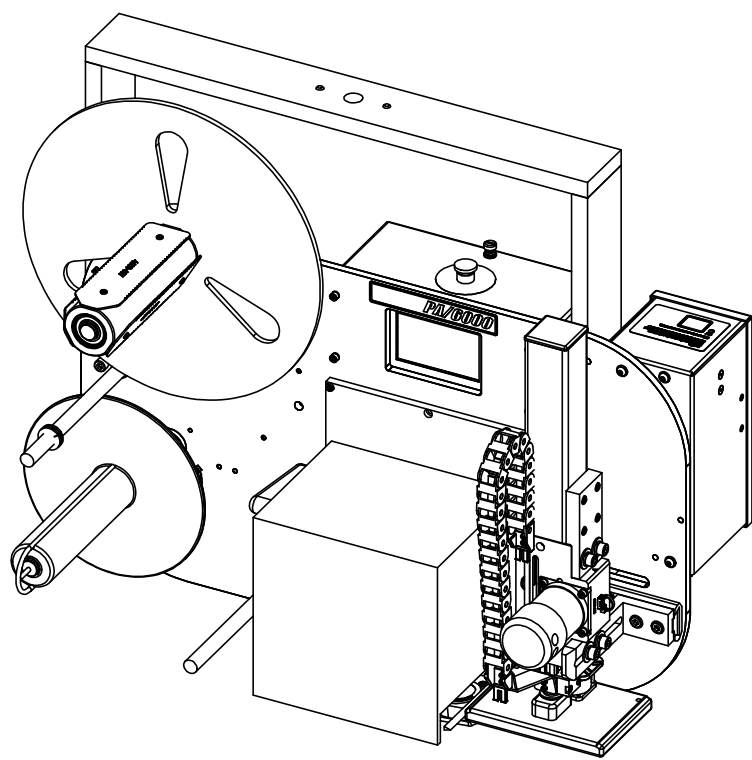


8 7 6 5 4 3 2 1

D
C
B
A

D
C
B
A



CONFIDENTIAL		UNLESS OTHERWISE SPECIFIED:		FILE NAME PA6000_E-SERIES_WITH-STAND		 	
THIS DOCUMENT CONTAINS CONFIDENTIAL INFORMATION OF DIAGRAPH - AN ITW COMPANY AND IS NOT TO BE COPIED, USED OR DISCLOSED TO OTHERS WITHOUT THE EXPRESS WRITTEN CONSENT OF DIAGRAPH - AN ITW COMPANY.		ALL DIMENSIONS ARE SHOWN IN INCHES. ALL DIMENSIONS APPLY AFTER FINISH. REMOVE BURRS		DWN R BIXEN			
		TOLERANCES:		APP XX		XX	
		LINEAR 2 PLACE (.XX) ±.015		APP		TITLE:	
		3 PLACE (.XXX) ±.005		ASSY PROC		PA6000, E-TAMP, RH, 5-IN, SIDE-APPLY	
		HOLE DIAMETERS ±.005		INSP PROC			
		ANGULAR ±1°		CAGE CODE		SIZE	
		MACHINE SURFACE		SCALE: 1:8		DWG NO	
NEXT ASSEMBLY		MATL SPEC		SHEET 1 OF 3		XX	
MODEL						REV	
						0	

8 7 6 5 4 3 2 1

8 7 6 5 4 3 2 1

D

D

C

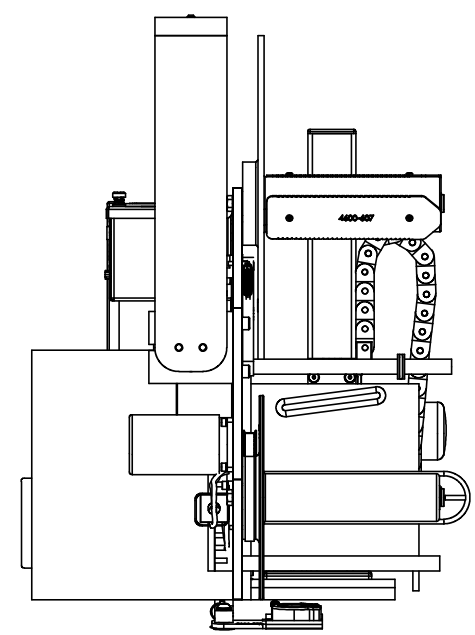
C

B

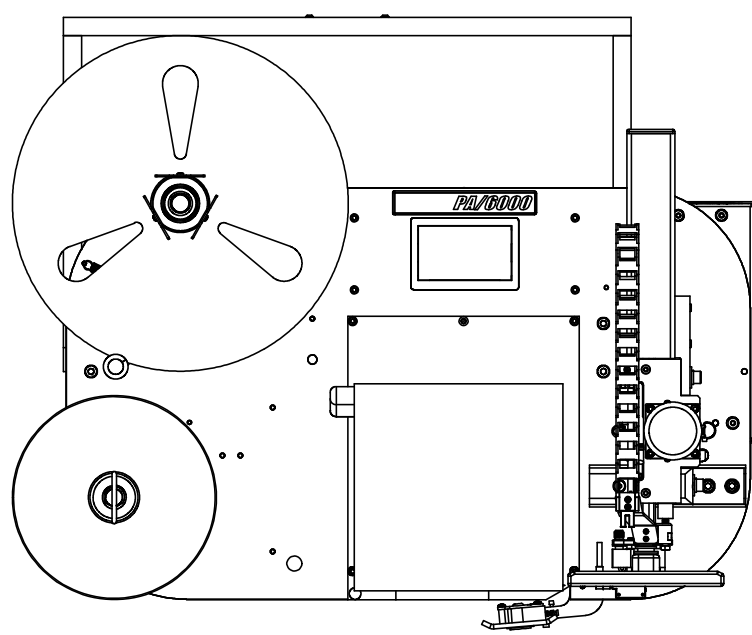
B

A

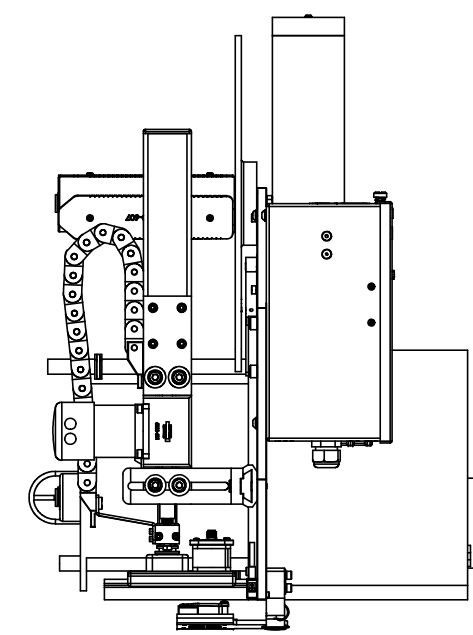
A




LEFT VIEW



FRONT VIEW



RIGHT VIEW

 Diagraph An ITW Company	SIZE	DWG NO	REV
	B	XX	0
SCALE: 1:8		SHEET 2 OF 3	

8 7 6 5 4 3 2 1

8 7 6 5 4 3 2 1

D

D

C

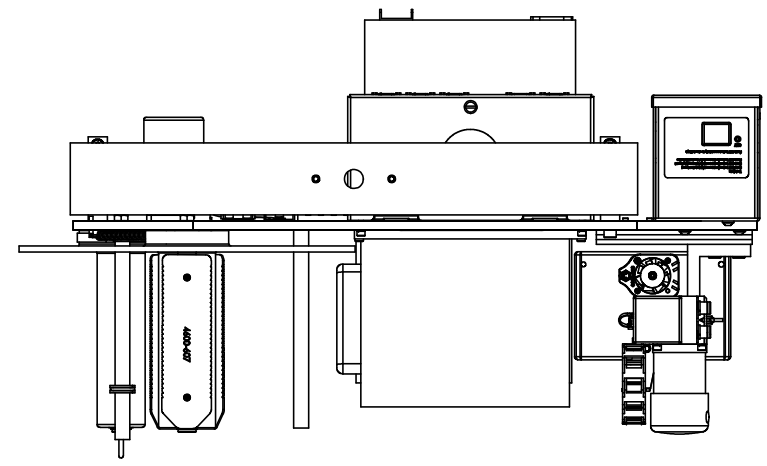
C

B

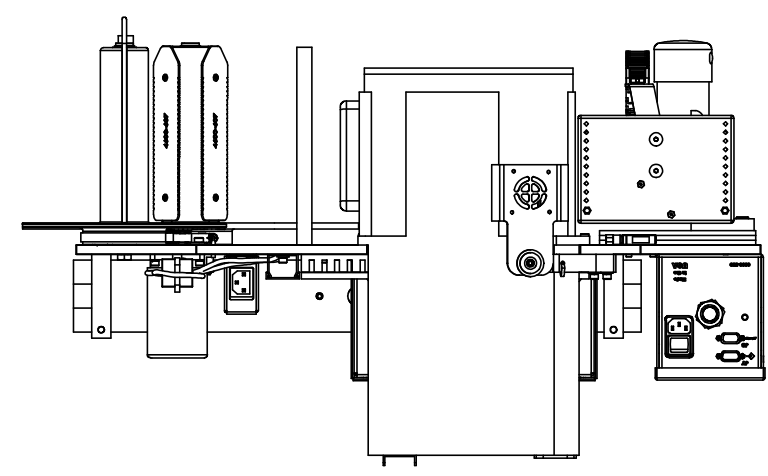
B

A

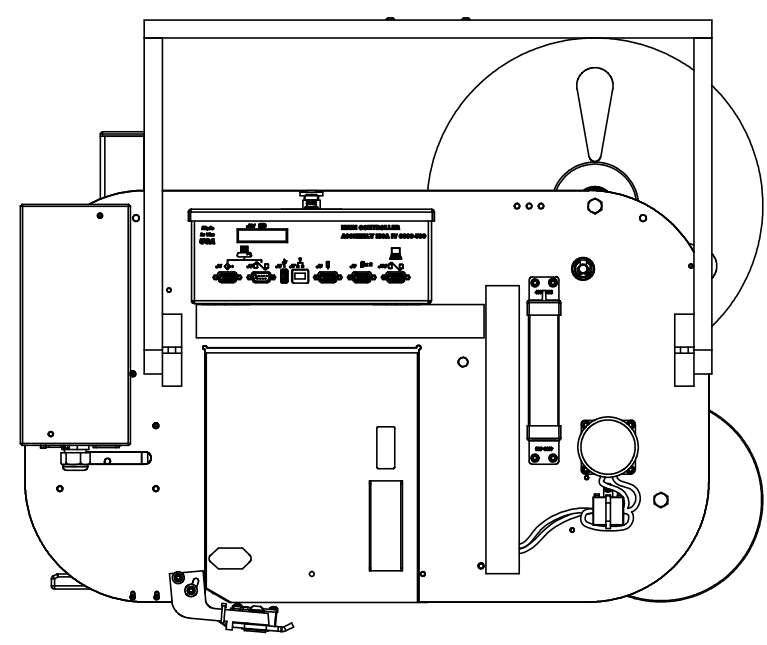
A



TOP VIEW



BOTTOM VIEW



REAR VIEW

8 7 6 5 4 3 2 1

	SIZE	DWG NO	REV
	B	XX	0
SCALE: 1:8		SHEET 3 OF 3	