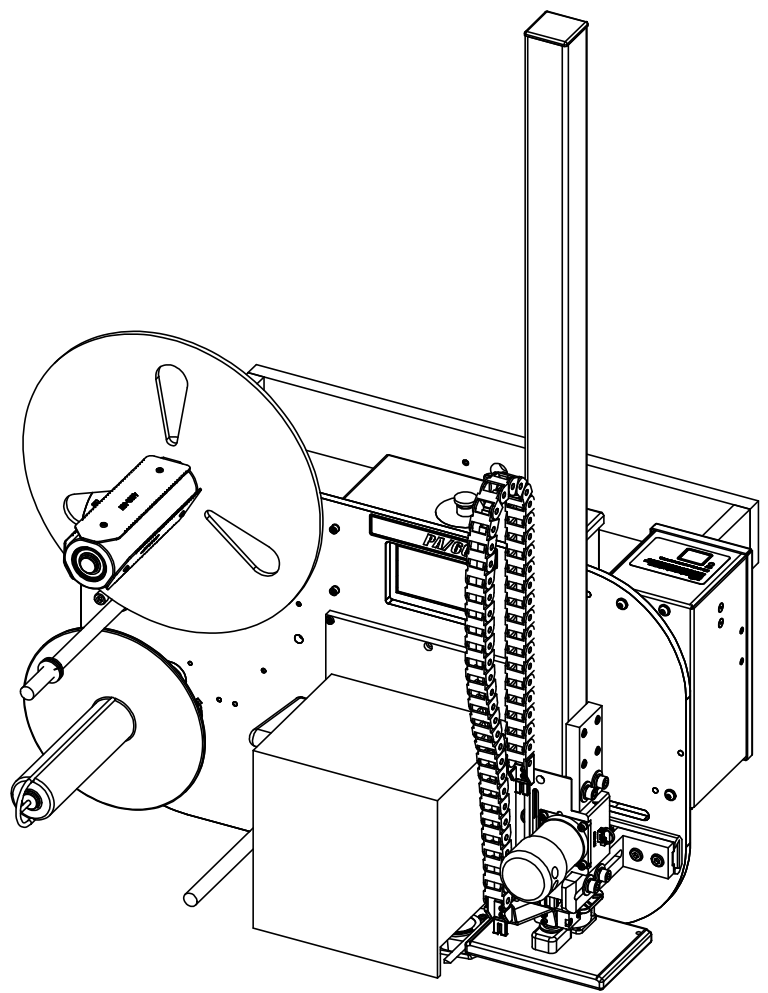


8 7 6 5 4 3 2 1

D
C
B
A

D
C
B
A



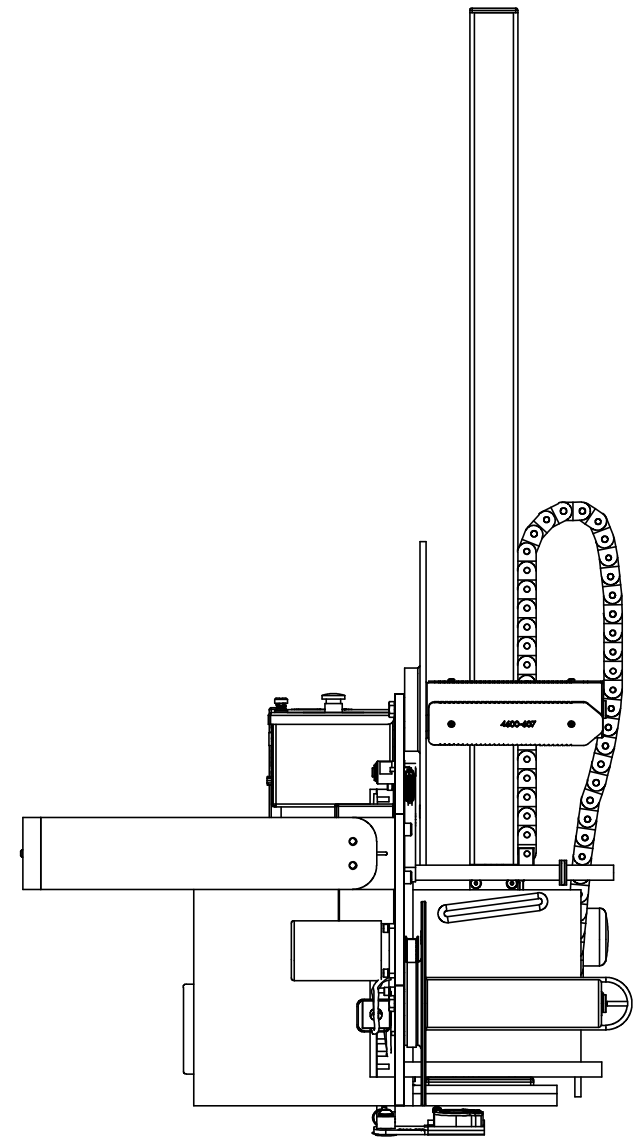
| | | | | | | | |
|---|--|---|--|---|--|--|--|
| CONFIDENTIAL | | UNLESS OTHERWISE SPECIFIED: | | FILE NAME PA6000_E-SERIES_WITH-STAND | | | |
| THIS DOCUMENT CONTAINS CONFIDENTIAL INFORMATION OF DIAGRAPH - AN ITW COMPANY AND IS NOT TO BE COPIED, USED OR DISCLOSED TO OTHERS WITHOUT THE EXPRESS WRITTEN CONSENT OF DIAGRAPH - AN ITW COMPANY. | | ALL DIMENSIONS ARE SHOWN IN INCHES. ALL DIMENSIONS APPLY AFTER FINISH. REMOVE BURRS | | DWN R BIXEN | | 12/6/2011 | |
| | | TOLERANCES: LINEAR 2 PLACE (.XX) ±.015 3 PLACE (.XXX) ±.005 HOLE DIAMETERS ±.005 ANGULAR ±1° MACHINE SURFACE | | APP XX | | XX | |
| | | | | APP | | TITLE: PA6000, E-TAMP, RH, 30-IN, TOP-DOWN | |
| | | | | ASSY PROC | | | |
| | | | | INSP PROC | | | |
| | | | | CAGE CODE | | SIZE B | |
| NEXT ASSEMBLY | | MODEL | | SCALE: 1:8 | | DWG NO XX | |
| | | | | SHEET 1 OF 3 | | REV 0 | |

8 7 6 5 4 3 2 1

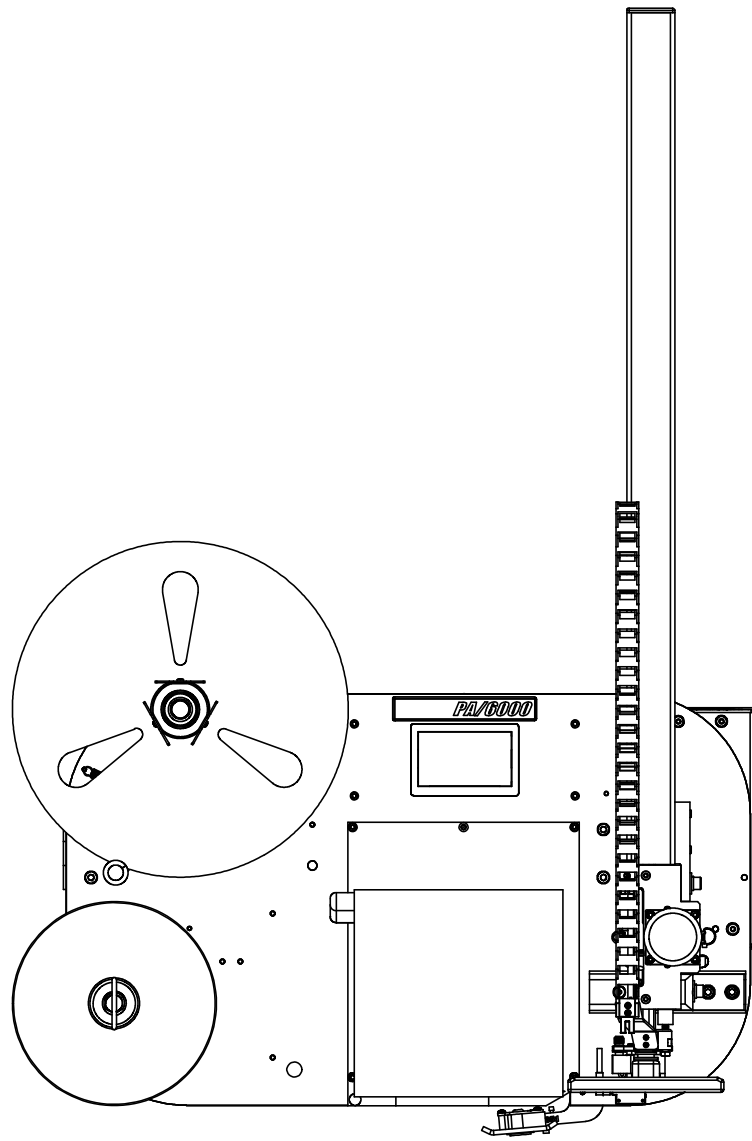
8 7 6 5 4 3 2 1

D
C
B
A

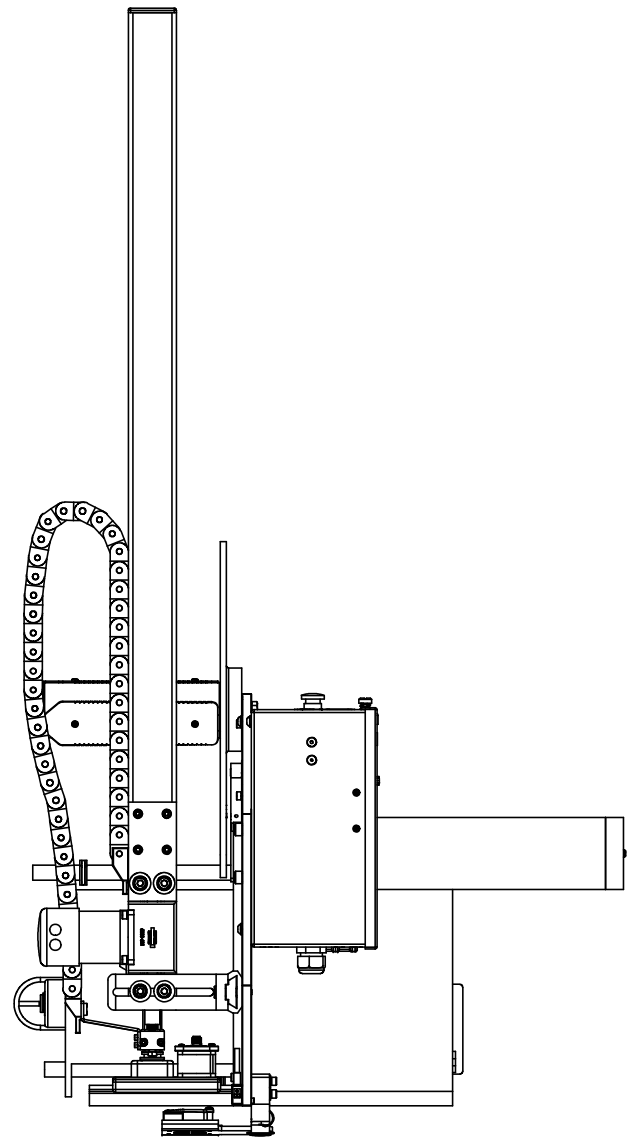
D
C
B
A



LEFT VIEW



FRONT VIEW



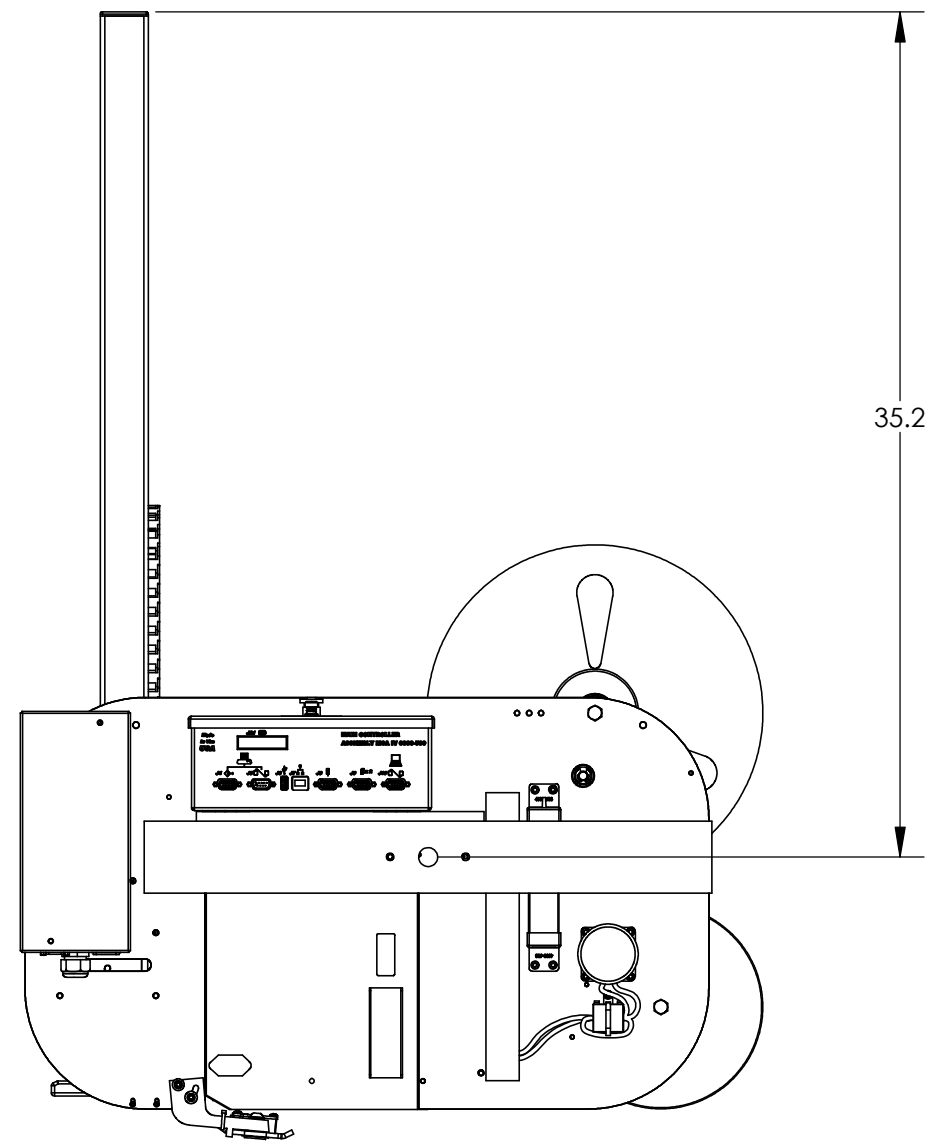
RIGHT VIEW

8 7 6 5 4 3 2 1

| | | | |
|---------------------------------------|------|--------------|-----|
| Diagraph An ITW Company | SIZE | DWG NO | REV |
| | B | XX | 0 |
| SCALE: 1:8 | | SHEET 2 OF 3 | |

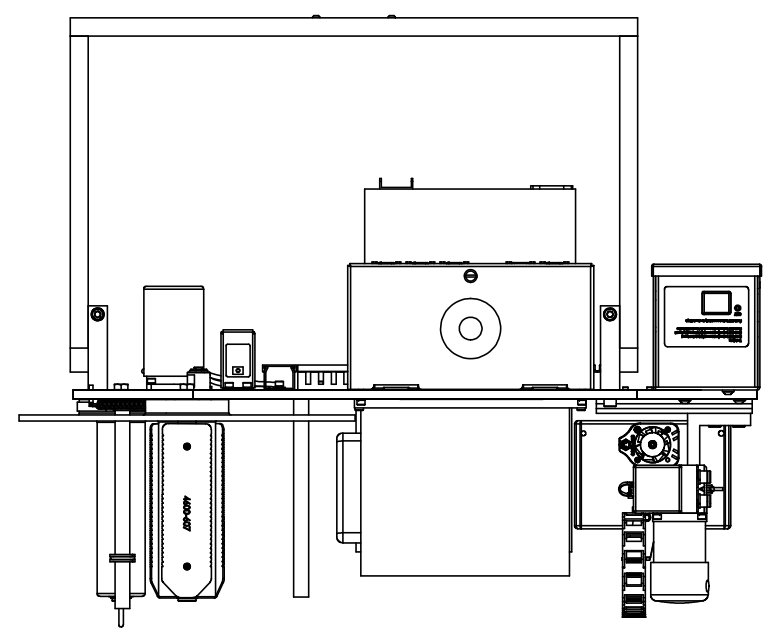
8 7 6 5 4 3 2 1

D
C
B
A

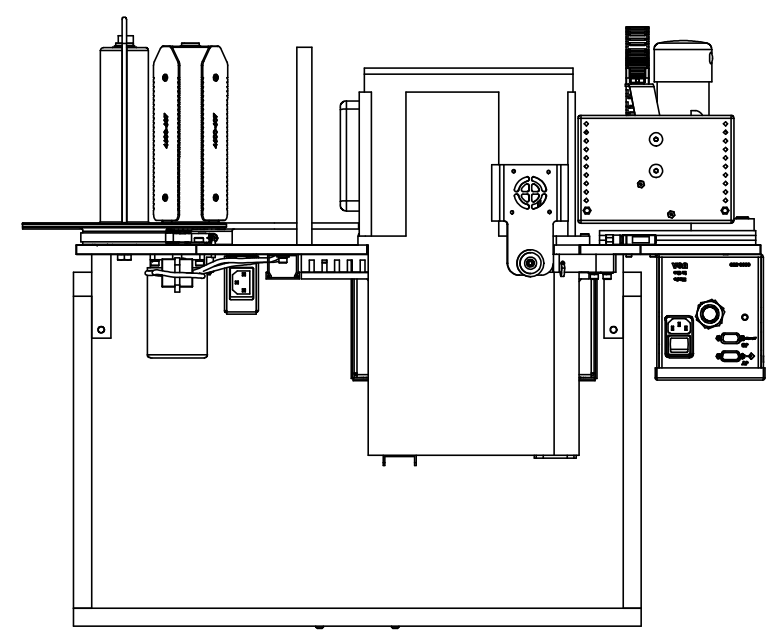


35.2

REAR VIEW



TOP VIEW



BOTTOM VIEW

8 7 6 5 4 3 2 1

| | | | |
|--|------|--------------|-----|
| Diagraph An <i>ITW</i> Company | SIZE | DWG NO | REV |
| | B | XX | 0 |
| SCALE: 1:8 | | SHEET 3 OF 3 | |