



PA7100 PRINT & APPLY LABEL APPLICATOR

Diagraph's all-electric print & apply labeling system features brushless servo-controlled label dispensing technology and smart sensing auto-adjusting controls to achieve precise label placement at high speeds.

All-electric

Frees manufacturers from the inconsistencies and high costs of plant air, enabling unparalleled one-to-one label-to-product placement

Integrated sensors

Track labels and web conditions throughout transit for total control of the labeling process

Brushless DC servo motor driven actuator

Reacts in real time to sensor feedback to prevent multiple label feeds and ensure precise label dispensing and control for superior label placement

Simple 7" color touchscreen display

Easy to read display allows changes in portrait or landscape orientations



Reliably print and apply labels in various applications including the side, top, front, rear and corner wrap of product, case and pallet panels. Remotely adjust settings and view statuses across systems without the need for manual interventions on the production line.

DIAGRAPH

TECHNICAL DATA

Print engines	Available with Zebra or SATO print engines	
Dimensions (with yoke)	31" L x 27" H x 26" D	
Supply roll capacity	14" OD	
Core	3" diameter	
Label length	0.5" to 14"	<i>Label lengths 1" and below must be application tested and verified.</i>
Label widths	0.5" to 6.5"	
Line speed	E-Tamp: 150 FPM max.	E-FASA: 75 FPM max.
Temperature	41° F to 104° F	
Humidity	10-85% relative humidity, non-condensing	
Controllers	Touch Pro, HH-4000	
Certifications	IEC 61000-6-2 2005/AC: 2005 Immunity, IEC 61000-6-4 2007/A1: 2011 Emission, FCC Part 15b, CSA CAN/CSA-C22.2 No. 62368-1:2014, UL62368-1:2014	



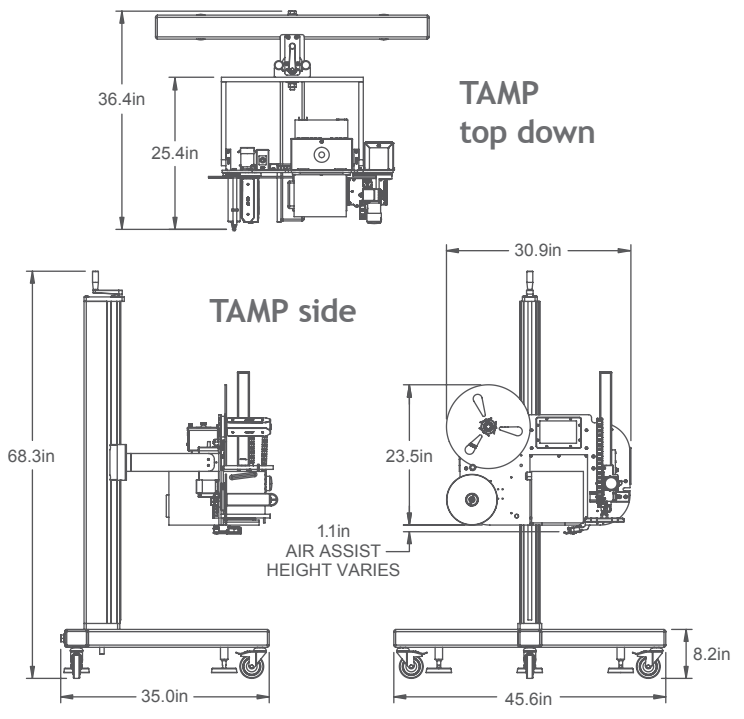
Scan for a full list of technical data.



FEATURES & BENEFITS

- Quickly save settings, load jobs and receive label formats from labeling software with robust serial communication through ethernet
- Diagnostic screen provides real time feedback from smart sensors for quick troubleshooting
- Built-in functionality for redundant mode to pair two systems for zero downtime line requirements
- Designed for reliability with a clutchless liner take-up system and low friction surfaces
- Discrete I/O card option allows system to interface directly to PLC
- Wrap tightness adjusted by dampening air cushion cylinder
- Pivoting knuckle tamp pad allows for higher throughput rates with less failure points and adjustments than actuator modules

TECHNICAL DRAWINGS



1 Research Park Drive • St. Charles, MO 63304
 800.722.1125 • diagraph.com • sales@diagraph.com

