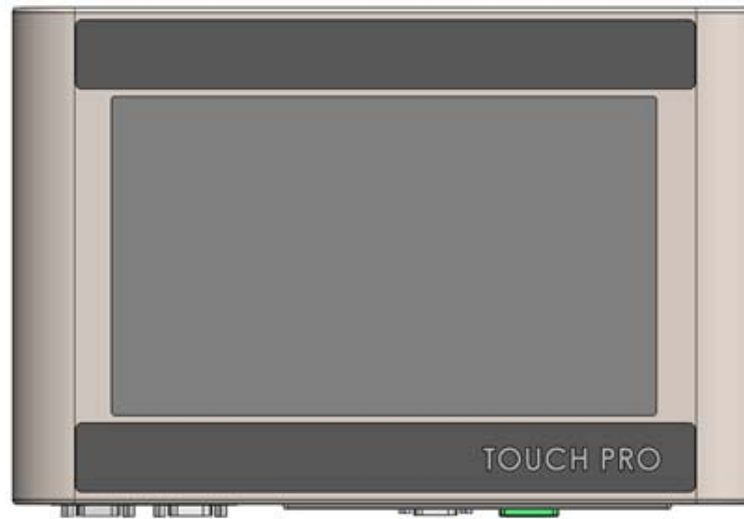


Operations Manual

Touch Pro Controller



404014
Revision B

Touch Pro Controller Operations Manual

404014
Revision B

The information contained in this manual is correct and accurate at the time of its publication. The manufacturer reserves the right to change or alter any information or technical specifications at any time and without notice.

©2021 Illinois Tool Works Inc.

All rights reserved

Touch Pro Controller

Warranty:

The Touch Pro controller, including all components unless otherwise specified, carries a limited warranty.

For all warranty terms and conditions, contact the manufacturer for a complete copy of the Limited Warranty Statement.

Touch Pro Controller

Section 1: Safety	2
Section 2: Installation	3
UI Tips	4
Hardware Setup	6
Appendix A: Touch Pro Specifications	7
Appendix B: Wiring Diagram	9
Appendix H: Part Numbers	10

Section 1: Safety

Following is a list of safety symbols and their meanings, which are found throughout this manual. Pay attention to these symbols where they appear in the manual.



Caution or Warning! Denotes possible personal injury and/or damage to the equipment.



Caution or Warning! Denotes possible personal injury and/or equipment damage due to electrical hazard.



NOTE: (Will be followed by a brief comment or explanation.)



ESD protection should be worn when servicing internal printed circuit boards.

After service to the equipment is completed, replace all protective devices such as grounding cables and covers before operating the equipment.



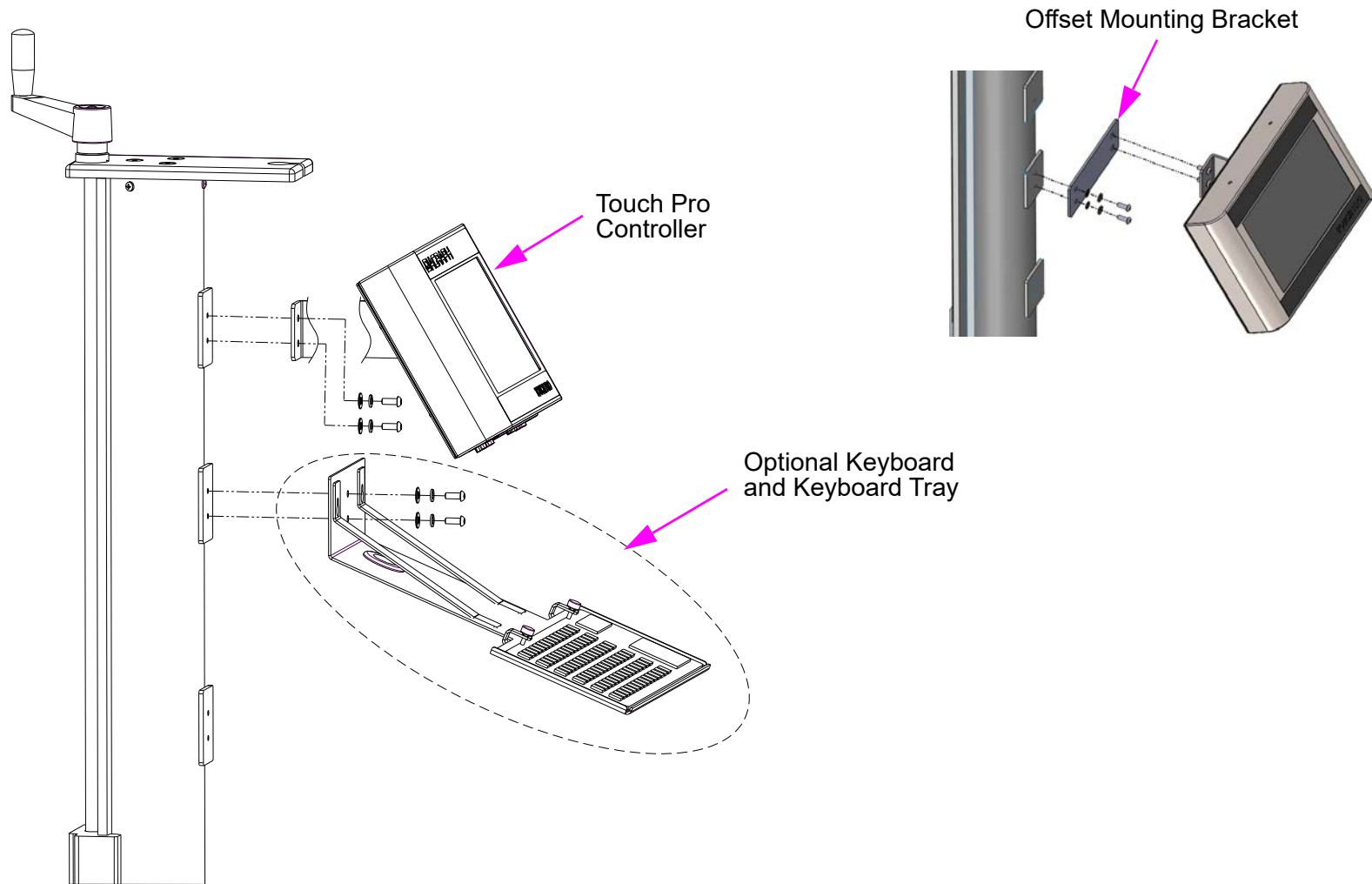
WARNING: When servicing the unit's electronic assemblies, always remove the power cord from the unit to prevent accidental shock.



Service is to be performed by trained or ITW personnel only.

Section 2: Installation

Install the Touch Pro (and optional keyboard) at the desired height on the rear of the stand, using two M6 screws, two split washers, and two flat washers. Install the Offset Mounting Bracket, if required to prevent interference.



UI Tips

Calibrate Touch Screen

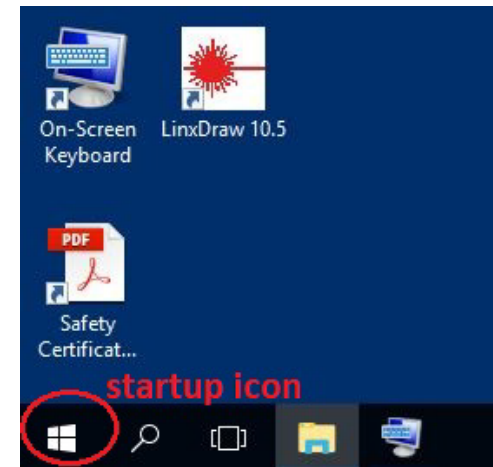
1. Double-click the **TBCALIB** shortcut on the desktop.
2. Calibrate the Touch Screen per instructions on the screen, then select **Update** to close.

"Right-Click" Mouse

Press and hold the icon that needs the "right-click" function until the right-click window appears.

Add Applications to Startup in Windows 10

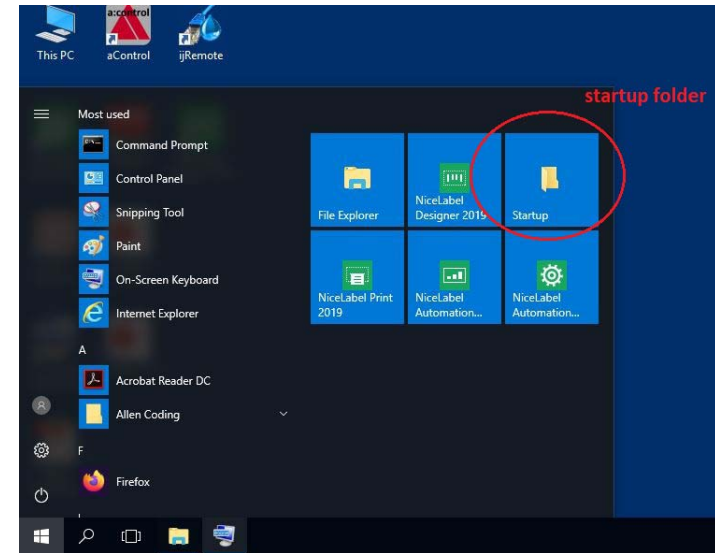
1. Create a shortcut of the application and save it on the desktop.
2. Make a copy of the shortcut.
3. Click on the startup icon in the bottom left corner of the display.



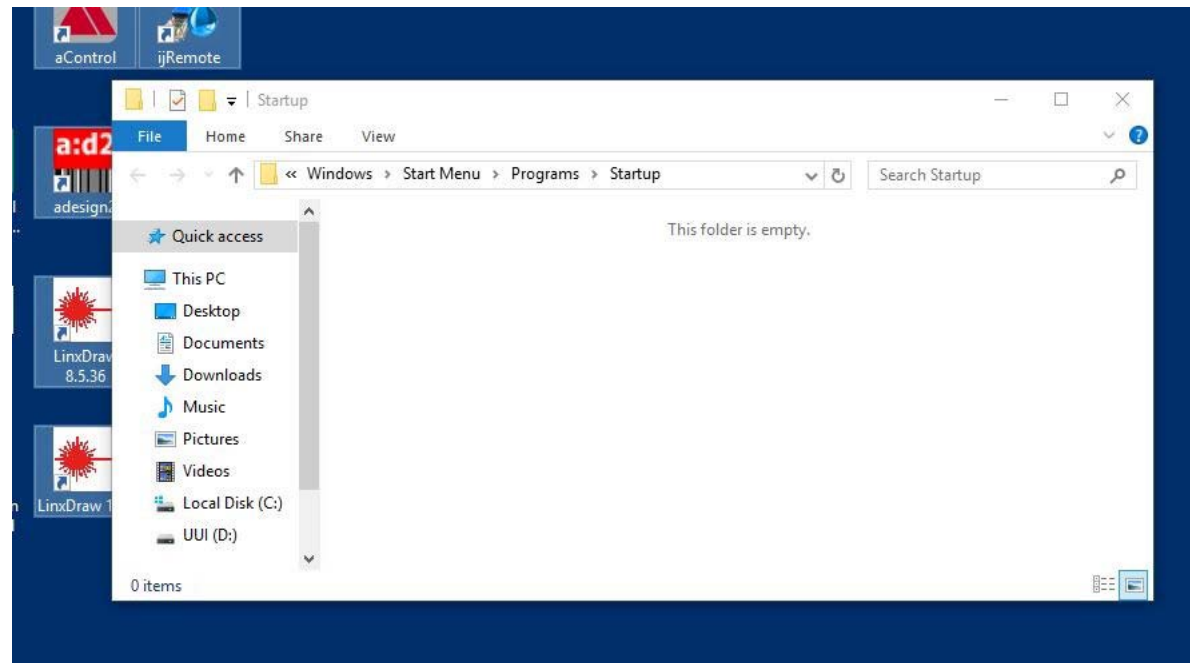
Touch Pro Controller

Section 2: Installation

4. Open the startup folder.



5. Paste the application in the startup folder.



Hardware Setup

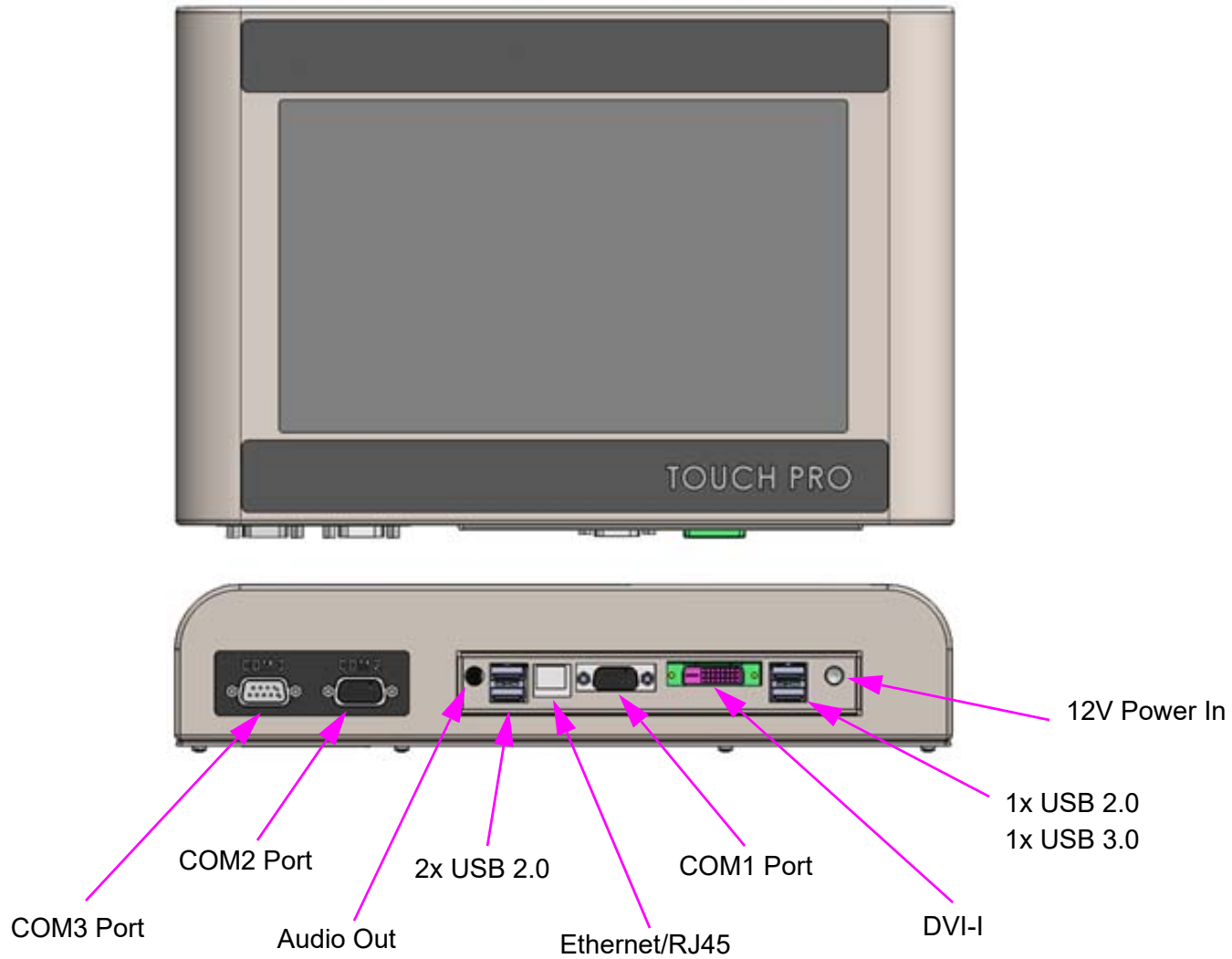
Optional "Y" Cable

Connect the "Y" cable to COM2.

WIFI Adapter

If wireless communication is needed, connect the WIFI Adapter to any of the USB Ports. The WIFI adapter is a plug-and-go device. No setup is needed.

Appendix A: Touch Pro Specifications



Touch Pro Controller

Appendix A: Touch Pro Specifications

Enclosure Size

Height: 208.3mm [8.20in]

Width: 304.8mm [12.00in]

Depth: 63.3mm [2.49in]

IP Rating

IP20

Screen

Size: 256.5mm [10.1in]

Native Resolution (Pixel): 1024 x 600

Backlight: LED

System

Processor: Intel® Atom™ N2600 1.6 GHz

Memory: 2GB DDR3 RAM

Storage: 16GB Flash

Operating System: Microsoft® Windows® 10

Power Supply Input

Voltage: 100 - 240 VAC

Frequency: 50 - 60 HZ

Current: 0.58A

Power Supply Output

Voltage: 12VDC

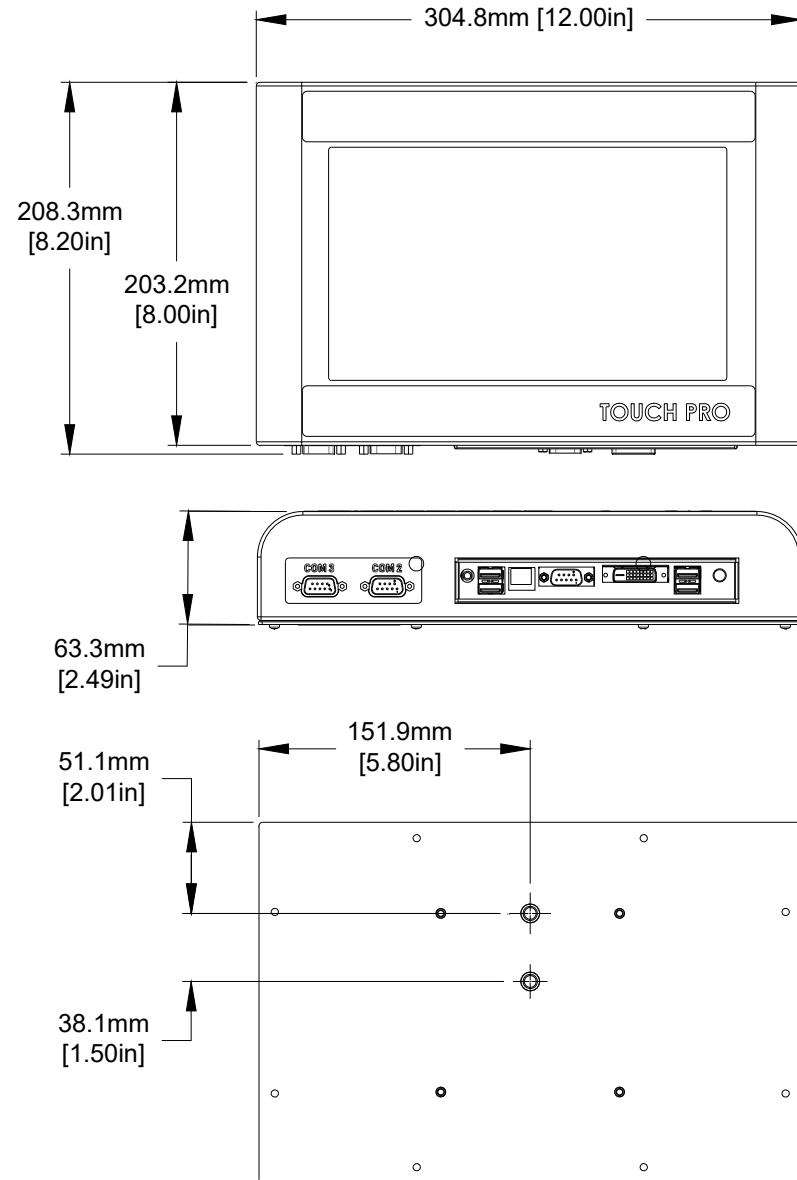
Current: 2A

Environment

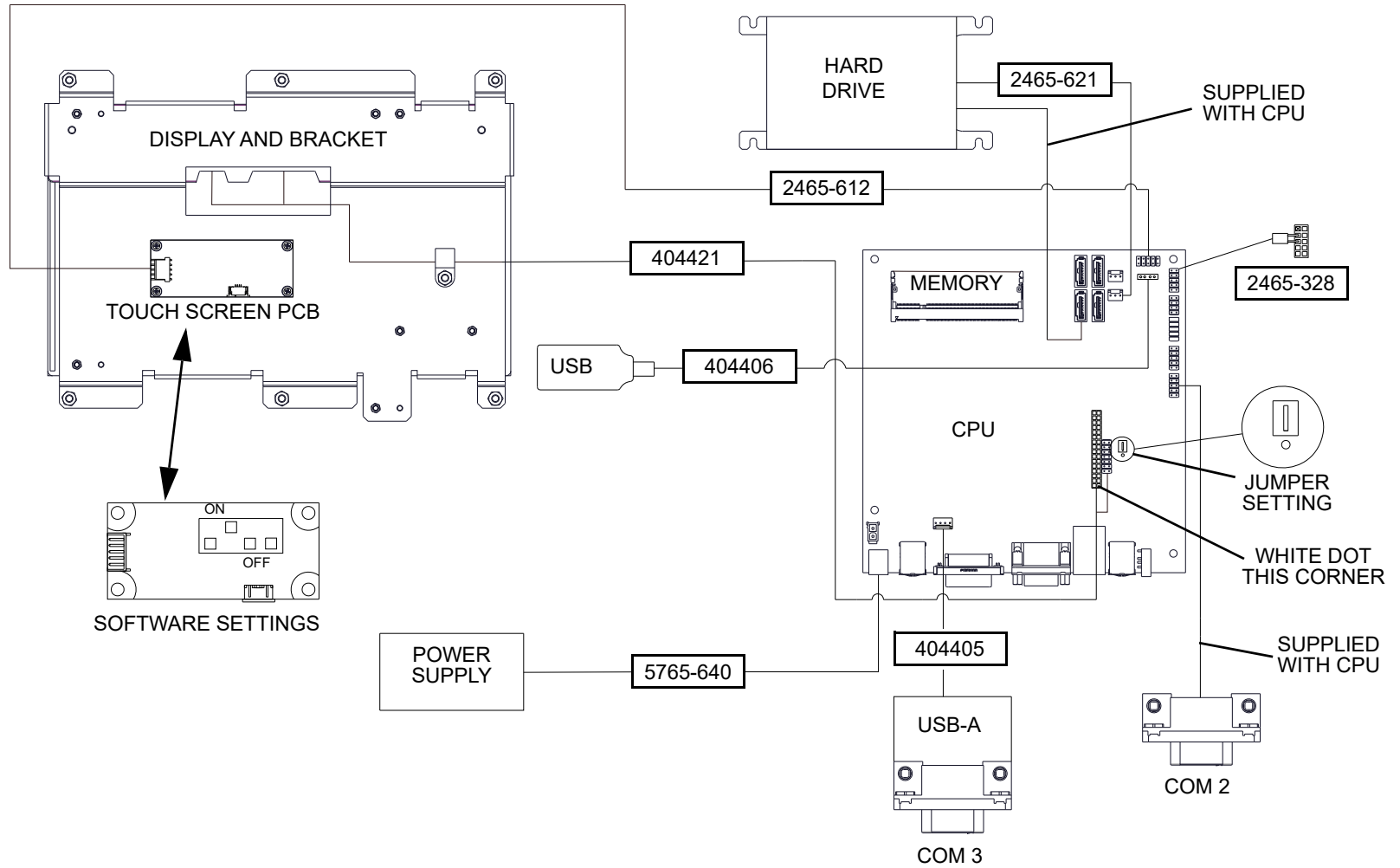
Operating Temperature: 5°C to 40°C [40°F to 104°F]

Storage Temperature: -25°C to 80°C [-13°F to 176°F]

Humidity: 5% to 90%, non-condensing



Appendix B: Wiring Diagram



Appendix H: Part Numbers

Item	Kit No.	Description
1	404250	Display / Touch Screen Kit
2	404251	CPU Board Kit
3	6170672	Keyboard and Keyboard Tray
(not shown)	404252	Hard Drive Kit

