

Pallet Labeling Solution

Your Needs

- Modular, automated pallet labeling solution for track & trace, warehouse management and product ID
- Drive pallet labelers on multiple production lines from one controller
- Problem-free method of labeling shrink-wrapped pallets. No snags, even when labeled in transit.
- Consistent, legible, easily scanned "license plate" on every pallet
- Identify ship date, time, pallet #/count, inventory, plant, product ID, graphics, logos and more

Key Product Features

- Industrial stainless steel controller
- Elastomeric 70-key QWERTY-style keyboard
- High-resolution LCD touch screen display
- 80 GB hard drive with Windows® XP Professional
- Ethernet USB, RS232 Serial, PS/2 keyboard & mouse
- NiceLabel® software package (customizable)
- Robust aluminum adjustable-height 54" stand with leveling feet & locking casters
- Platinum Series labeling platform
- Tamp pad sensors detect varying product distance to system even through shrink-wrap



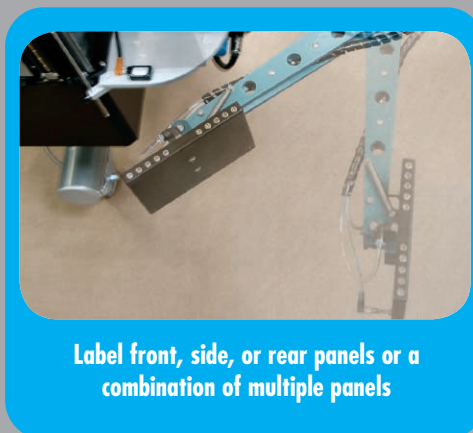
Integrated industrial PC offers ODBC connectivity to warehouse management database and has stand-alone database capabilities



Tamp cylinder with 20" extension provides easy label application to pallets of varying reach



Pivoting pad is standard for labels up to 6" long; conforms to irregular surfaces



Label front, side, or rear panels or a combination of multiple panels



Increased productivity and accuracy of tracking goods with hand-held scanning of bar codes

Pallet Labeling Solution

PA/6000

Print Method	Thermal Transfer or Direct Thermal
Print Speed	Up to 12 inches/second
Print Resolution	203/300/400/600 dpi
Max. Print Area	6.6" W x 13" L
Min. Media Dimensions	0.5" W x 0.5" L
Max. Media Dimensions	7.1" W x 13" L
Supply Roll Capacity	14" OD on 3" core
Max. Ribbon Length	2,995' (900 m)
Standard Interfaces	RS-232, Parallel
Optional Interfaces	Wireless Ethernet, Wired Ethernet, RS-422, RS-485
Power Requirements	100-240 VAC, 47-63 Hz, 3-5A Auto-Ranging
Air Requirements	40-125 PSI, 60 PSI recommended
Air Consumption	2 CFM @ 80 PSI typical
Environmental	41-104° F (5-40° C); 15-85% RH Non-Condensing
Weight	90 lbs. (41 kg) applicator, printer, yoke, no stand
Certifications	CE, CSA, ETL (UL 60950), complies with FCC, part 15 Class A

Controller

Processor	SBC 800 MHz with 128 MB RAM
Supply Input	100-240 VAC, 50-60 Hz at 3A maximum
Ports	Ethernet, External USB port, RS232 Serial port, PS/2 keyboard/mouse input
Enclosure	Stainless steel
Weight	Controller only: 28.4 lbs. (12.9 kg)
Operating System	Windows XP Professional
Display	10.4"
Keyboard	Elastomeric, 70-key QWERTY-style
Environment	Ambient operating temperature: 40-104 F (5-40 C) Operating humidity: 10 to 90%, non-condensing
Storage	80 GB hard drive
Alarms	Optional beacon

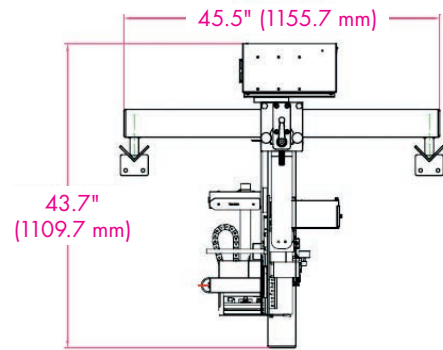
Standard Features

User Interface	Graphic tri-color backlight LCD touchscreen with 50-job storage
Product Detector	Retro-reflective 900 mm range-adjustable sensor
Tamp Module	10" or 20" dual-rod, high-speed cylinder (10M MTBF)
Pneumatic Module	Selectable tamp or tamp/blow, digital pressure monitor
On-Demand Print	Print when triggered to conserve vacuum air consumption
Diagnostics Information	Test inputs and outputs without need for a multimeter Status, Printer and Tamp counters, Air Pressure Monitor, Repeat Cycle Error Monitor, Broken Liner, Home Position Sensor, Printer Status Monitor

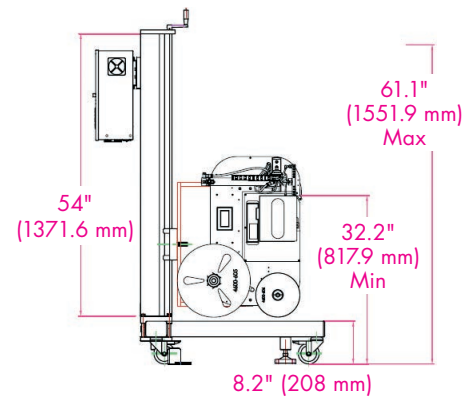
Optional Features

Warning Tower	3-color status indicators available as bulbs or LED
Variable Stroke	Tamp-pad-mounted sensor to detect impending product contact for variable product height/width and soft contact applications
Discrete I/O Module	Optically-isolated four (4) input, six (6) output module
Label Present	Monitor label on tamp for repeat errors or reprint labels
Label Low	Monitor supply roll for low condition
Application Modules	Dual Panel Tamp, Swing Arm, Wipe-On
RFID	TampTenna™ module, OEM-Enabled printers

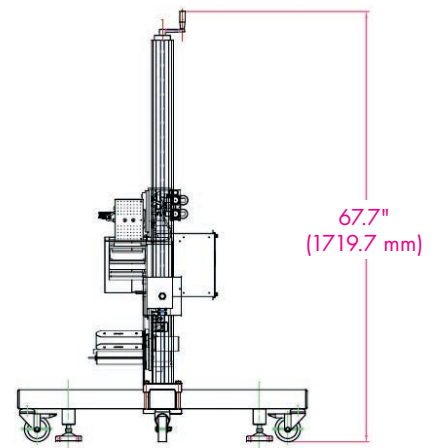
Top View



Side View



Front View



 **Diagraph**
An **TW** Company